



| 昆山龙腾光电有限公司  
**InfoVision Optoelectronics ( Kunshan ) Co.,LTD.**

Document Title	M150GNN2 R2 Customer Approved Specification		Page No.	1/23	
Document No.		Issue date	2015/02/11	Revision	00

## Customer Approved Specification

**To:** 苏州与来视讯科技有限公司

**Product Name: M150GNN2 R2**

**Document Issue Date: 2015/02/11**

Customer	InfoVision Optoelectronics
<p><b><u>SIGNATURE</u></b></p> <p>_____</p> <p>_____</p> <p>_____</p> <p>Please return 1 copy for your confirmation with your signature and comments.</p>	<p><b><u>SIGNATURE</u></b></p> <p><b>REVIEWED BY CQM</b></p> <p>_____</p> <p><b>PREPARED BY FAE</b></p> <p>_____</p>

Note: 1. Please contact InfoVision Company before designing your product based on this product.

2. The information contained herein is presented merely to indicate the characteristics and performance of our products. No responsibility is assumed by IVO for any intellectual property claims or other problems that may result from application based on the module described herein.

FQ-7-30-0-009-03



昆山龙腾光电有限公司  
InfoVision Optoelectronics ( Kunshan ) Co.,LTD.

Document Title	M150GNN2 R2 Customer Approved Specification	Page No.	2/23		
Document No.		Issue date	2015/02/11	Revision	00

Revision	Date	Page	Old Description	New Description	Remark
00	2015/02/11	All	--	First issue	

IVO Confidential document



昆山龙腾光电有限公司  
InfoVision Optoelectronics ( Kunshan ) Co.,LTD.

Document Title	M150GNN2 R2 Customer Approved Specification	Page No.	3/23
Document No.		Issue date	2015/02/11
		Revision	00

## Contents

<b>1.0 General Descriptions Introduction</b> .....	3
<b>2.0 Absolute Maximum Ratings</b> .....	6
<b>3.0 Pixel Format Image</b> .....	7
<b>4.0 Optical Characteristics</b> .....	8
<b>5.0 Backlight Characteristics</b> .....	11
<b>6.0 Electrical Characteristics</b> .....	12
<b>7.0 Interface Timings</b> .....	15
<b>8.0 Power Consumption</b> .....	16
<b>9.0 Power ON/OFF Sequence</b> .....	17
<b>10.0 Mechanical Characteristics</b> .....	18
<b>11.0 Reliability</b> .....	19
<b>12.0 Package Specification</b> .....	20
<b>13.0 Lot Mark</b> .....	21
<b>14.0 General Precaution</b> .....	22



# 昆山龙腾光电有限公司 InfoVision Optoelectronics ( Kunshan ) Co.,LTD.

Document Title	M150GNN2 R2 Customer Approved Specification	Page No.	4/23
Document No.		Issue date	2015/02/11
		Revision	00

## 1.0 General Descriptions Introduction

### 1.1 Introduction

The M150GNN2 R2 is a color active matrix thin film transistor (TFT) liquid crystal display (LCD) that uses amorphous silicon TFT as a switching device. It is composed of a TFT LCD panel, a backlight system, column driver and row driver circuit. This TFT LCD has a 15.0-inch diagonally measured active display area with resolution (1024 horizontal by 768 vertical pixels array).

### 1.2 Features

- 15.0" TFT LCD Panel
- LED Backlight System
- Supported 1024x768 pixels resolution
- Compatible with RoHS standard

### 1.3 Product Summary

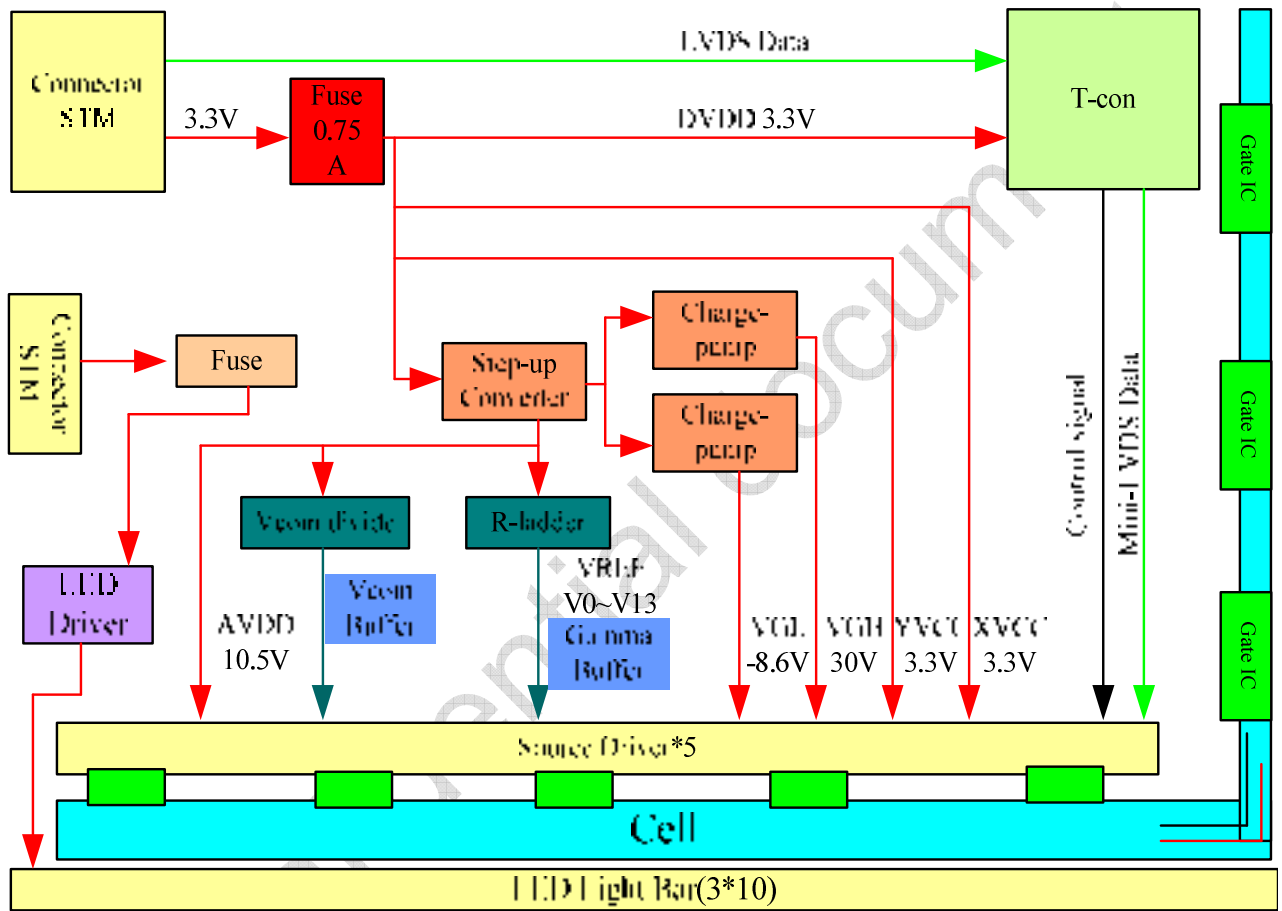
Items	Specifications	Unit
Screen Diagonal	15.0	Inch
Active Area	304.128(H) x 228.096(V)	mm
Pixels H x V	1,024(RGB) x768	-
Pixel Pitch	0.297(H) x 0.297(V)	mm
Pixel Arrangement	R.G.B. Vertical Stripe	-
Display Mode	Normally White	-
White Luminance	420(Typ.)	cd /m <sup>2</sup>
Contrast Ratio	800 (Typ.)	-
Response Time	(16)(Typ.)	ms
Input Voltage	+3.3(Typ.)	V
Weight	930(Typ.)	g
Outline Dimension (H x V x D)	326.5(Typ.) x 253.5(Typ.) x 12.0(Typ.)	mm
Electrical Interface (Logic)	LVDS	-
Support Color	262K	-
Surface Treatment	Anti-glare, Hard-Coating (3H)	-

Document Title	M150GNN2 R2 Customer Approved Specification	Page No.	5/23
Document No.		Issue date	2015/02/11
		Revision	00

### 1.4 Functional Block Diagram

Show the functional block diagram of the LCD module.

**Figure 1 Block Diagram**





昆山龙腾光电有限公司  
InfoVision Optoelectronics ( Kunshan ) Co.,LTD.

Document Title	M150GNN2 R2 Customer Approved Specification	Page No.	6/23		
Document No.		Issue date	2015/02/11	Revision	00

## 2.0 Absolute Maximum Ratings

Table 1 Absolute Ratings of Environment

Item	Symbol	Min.	Max.	Unit	Conditions
Supply Voltage	V <sub>DD</sub>	-0.5	5	V	-
Operating Temperature	TOP	-20	70	°C	Note
Operating Humidity	HOP	10	85	%RH	Note
Storage Temperature	TST	-30	80	°C	Note
Storage Humidity	HST	10	95	%RH	Note

Note: Please make sure to keep the temperature of LCD module is less than 80°C.

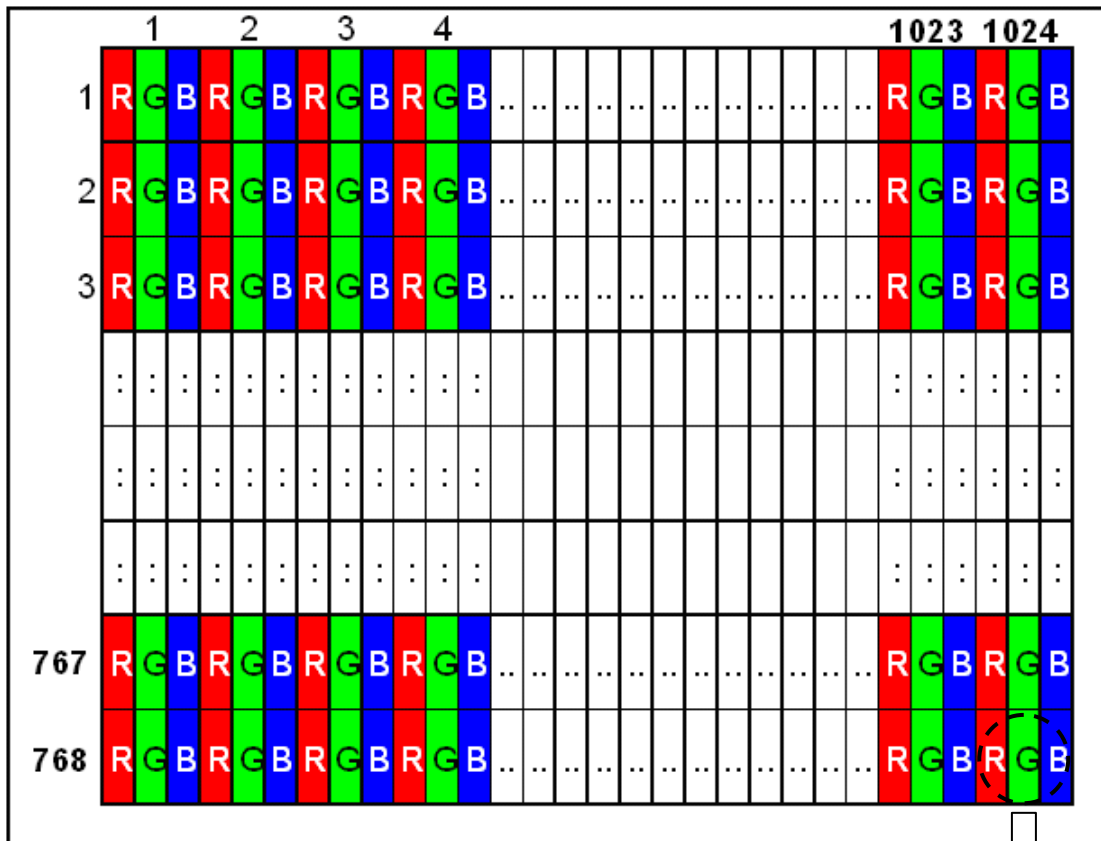


Document Title	M150GNN2 R2 Customer Approved Specification	Page No.	7/23
Document No.		Issue date	2015/02/11
		Revision	00

### 3.0 Pixel Format Image

Figure 2 shows the relationship of the input signals and LCD pixel format image.

**Figure 2 Pixel Format**



R+G+B dots=1 pixel



Document Title	M150GNN2 R2 Customer Approved Specification	Page No.	8/23
Document No.		Issue date	2015/02/11
		Revision	00

#### 4.0 Optical Characteristics

The optical characteristics are measured under stable conditions as following notes

**Table 2 Optical Characteristics**

Item	Conditions	Min.	Typ.	Max.	Unit	Note	
Viewing Angle (CR>10)	Horizontal	$\theta_L$	70	80	-	degree (1),(2),(3)	
		$\theta_R$	70	80	-		
	Vertical	$\theta_T$	70	80	-		
		$\theta_B$	60	80	-		
Contrast Ratio	Center	450	800	-	-	(1),(2),(4)	
Response Time	Rising	-	-	-	ms	(1),(2),(5)	
	Falling	-	-	-	ms		
	Rising + Falling	-	16	25	ms		
Color Chromaticity (CIE1931)	NTSC	65	70	-	%	(1),(2)	
	Red x	Typ. -0.03	0.625	Typ. +0.03	-	(1),(2)	
	Red y		0.352		-		
	Green x		0.315		-		
	Green y		0.63		-		
	Blue x		0.149		-		
	Blue y		0.067		-		
	White x		0.255		0.305		0.355
White y	0.275		0.325		0.375		-
White Luminance	Center	350	420	-	cd/m <sup>2</sup>	(1),(2),(6)	
Luminance Uniformity	9Points	75	80	-	%	(1),(2),(6)	



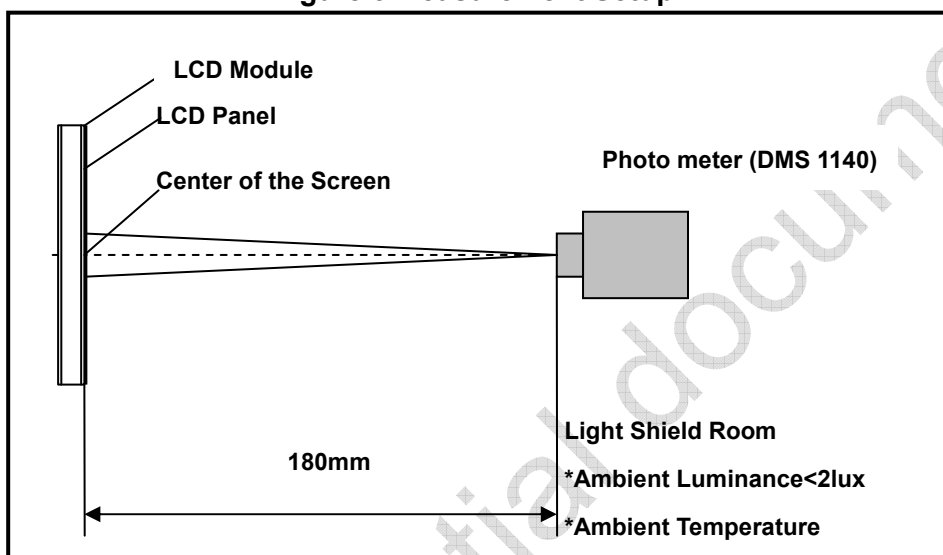


Document Title	M150GNN2 R2 Customer Approved Specification	Page No.	9/23
Document No.		Issue date	2015/02/11
		Revision	00

Note (1) Measurement Setup:

The LCD module should be stabilized at given temperature(25°C) for 15 minutes to Avoid abrupt temperature change during measuring. In order to stabilize the luminance, the measurement should be executed after lighting backlight for 15 minutes in a windless room.

Figure 3 Measurement Setup



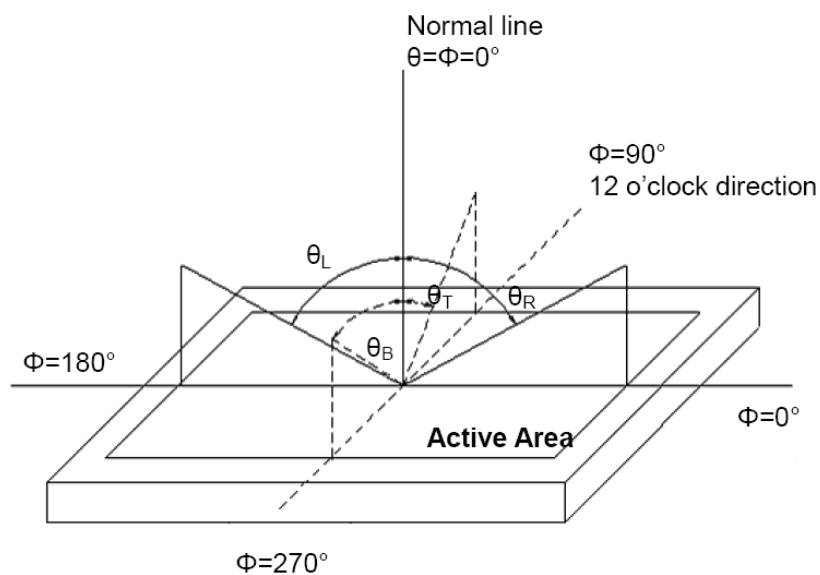
Note (2) The LED input parameter setting as:

VLED: 12V;

PWM\_LED: Duty 100 %

Note (3) Definition of Viewing Angle

Figure 4 Definition of Viewing Angle





Document Title	M150GNN2 R2 Customer Approved Specification	Page No.	10/23
Document No.		Issue date	2015/02/11
		Revision	00

Note (4) Definition Of Contrast Ratio (CR)

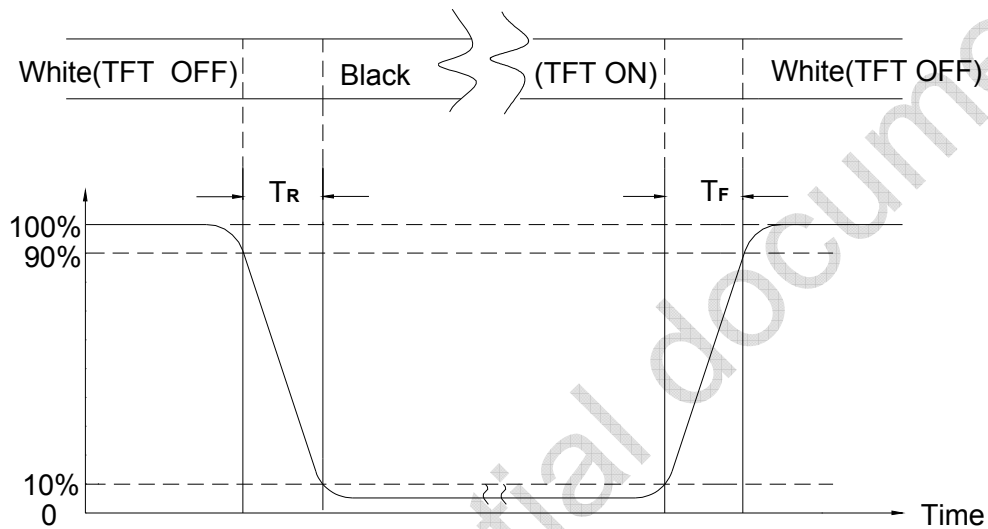
The contrast ratio can be calculated by the following expression

$$\text{Contrast Ratio (CR)} = L63 / L0$$

L63: Luminance of gray level 63, L0: Luminance of gray level 0

Note (5) Definition Of Response Time ( $T_R$ ,  $T_F$ )

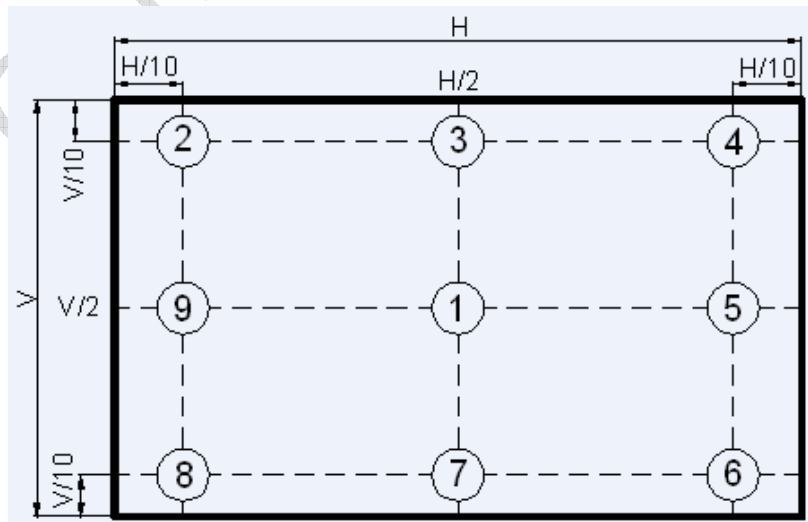
Figure 5 Definition of Response Time



Note (6) Definition Of Brightness Luminance

$$\text{Luminance Uniformity} = \frac{(\text{Min Luminance of 9 points})}{(\text{Max Luminance of 9 points})} \times 100\%$$

Figure 6 Measurement Locations





Document Title	M150GNN2 R2 Customer Approved Specification	Page No.	11/23
Document No.		Issue date	2015/02/11
		Revision	00

## 5.0 Backlight Characteristics

### 5.1 Parameter Guideline of LED Backlight

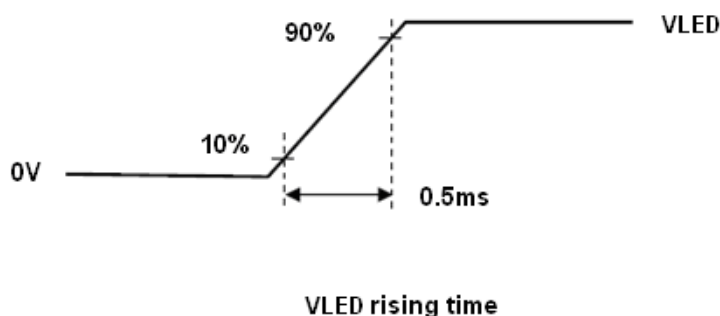
**Table 3 Parameter Guideline for LED Backlight**

Symbol	Parameter	Min.	Typ.	Max.	Units	Condition	
VLED	LED Input	10.8	12	12.6	[V]	Ta=25°C Note B	
PLED	LED Power Consumption	-	-	(7.5)	W	Ta=25°C Note B	
VLED_PWM	PWM Signal Voltage	High	4.5	5	5.5	V	Ta=25°C
		Low	-	-	0.8	V	
F <sub>PWM</sub>	PWM dimming Frequency	200	-	20K	Hz	Ddim ≥ 5%	
VLED_EN	LED Enable Voltage	High	2.0	5	5.5	V	-
		Low	-	-	0.8	V	
LT	LED Life Time	30,000	50,000	-	Hours	Ta=25°C Note A	

Note A: The LED life time define as the estimated time to 50% degradation of initial luminous.

Note B: A higher LED power supply voltage will result in better power efficiency. Keep the VLED between 12V and 12.6V is strongly recommended.

**Figure 7 LED Rush Current Measure Condition**





| 昆山龙腾光电有限公司  
InfoVision Optoelectronics ( Kunshan ) Co.,LTD.

Document Title	M150GNN2 R2 Customer Approved Specification	Page No.	12/23
Document No.		Issue date	2015/02/11
		Revision	00

## 6.0 Electrical Characteristics

### 6.1 TFT LCD Module Interface Connector

**Table 4 Connector Name / Designation**

Item	Description
Type / Part Number	MSB240420HD

**Table 5 Signal Pin Assignment**

Pin #	Signal Name	Description	Remarks
1	VDD	Power Supply, 3.3V (typical)	
2	VDD	Power Supply, 3.3V (typical)	
3	VSS	Ground	
4	REV	Reverse Scan selection	Note
5	Rin1-	-LVDS differential data input	
6	Rin1+	+LVDS differential data input	
7	VSS	Ground	
8	Rin2-	-LVDS differential data input	
9	Rin2+	+LVDS differential data input	
10	VSS	Ground	
11	Rin3-	-LVDS differential data input	
12	Rin3+	+LVDS differential data input	
13	VSS	Ground	
14	CIKIN-	-LVDS differential clock input	
15	CIKIN+	+LVDS differential clock input	
16	GND	Ground	
17	NC	Not connect	
18	NC	Not connect	
19	VSS	Ground	
20	NC	Not connect	



昆山龙腾光电有限公司  
**InfoVision Optoelectronics ( Kunshan ) Co.,LTD.**

Document Title	M150GNN2 R2 Customer Approved Specification	Page No.	13/23
Document No.		Issue date	2015/02/11
		Revision	00

Note: I **REV = LOW/NC**

Gate Scan :

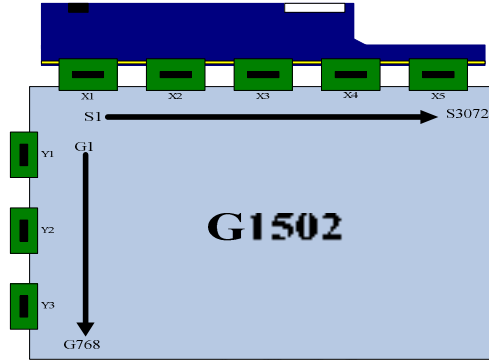
Y1→Y2→Y3

Y1 : G1→G2- - - - -→G258

Source Scan :

X1→X2→X3→X4→X5

X1: S1→S2- - - - -→S600



II **REV = High**

Gate Scan :

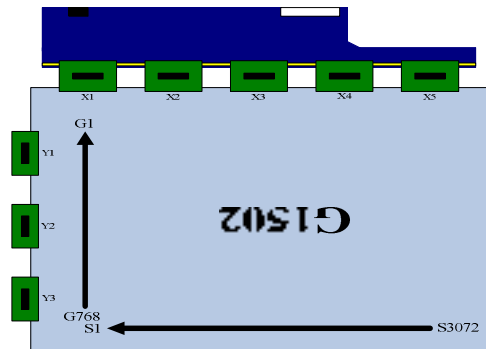
Y3→Y2→Y1

Y1 : G258→G257- - - - -→G1

Source Scan :

X5→X4→X3→X2→X1

X1: S600→S599- - - - -→S1





| 昆山龙腾光电有限公司  
**InfoVision Optoelectronics ( Kunshan ) Co.,LTD.**

Document Title	M150GNN2 R2 Customer Approved Specification	Page No.	14/23
Document No.		Issue date	2015/02/11
		Revision	00

**6.2 LED Interface Connector**

**Table 6 Connector Name / Designation**

Connector Name/Designation	LED Driver Connector
Manufacturer	STM or compatible
Connector Model Number	MSB24038P5A or compatible
Mating Model Number	P24038P5A or compatible

**Table 7 LED Connector Pin Assignment**

Pin#	Symbol	Signal Name
1	Vcc	12V
2	GND	GND
3	Enable	5V-On / 0V-Off
4	Dimming	PWM Dimming or Analog Dimming
5	NC	NC



Document Title	M150GNN2 R2 Customer Approved Specification	Page No.	15/23
Document No.		Issue date	2015/02/11
		Revision	00

## 7.0 Interface Timings

### 7.1 Timing Characteristics

**Table 8 Interface Timings**

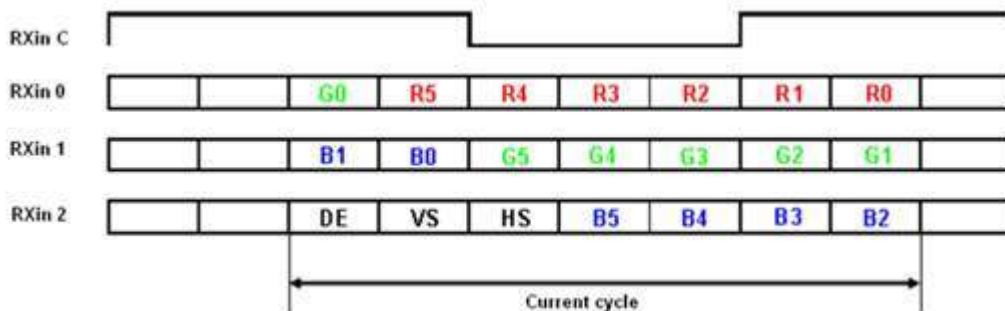
Synchronization Method : DE only

Parameter	Symbol	Unit	Min.	Typ.	Max.
LVDS Clock Frequency <single >	fdck	MHz	50	65	80
H Total Time	Thp	clocks	1056	1344	1720
H Active Time	HA	clocks	1024	1024	1024
H Front Porch	Thfp	clocks	-	48	-
H Sync Pulse Width	HSPW	clocks	-	32	-
H Back Porch	Thbp	clocks	-	240	-
H Frequency	fh	kHz	46.32	48.36	59.40
V Total Time	Tvp	lines	772	806	990
V Active Time	VA	lines	768	768	768
V Front Porch	Tvfp	lines	-	3	-
V Sync Pulse Width	VSPW	lines	-	12	-
V Back Porch	Tvbp	lines	-	23	-
V Frequency	fv	Hz		60	

Note: H Blank area and V Blank area can not be changed at every frame

### 7.2 Timing Diagram of Interface Signal

**Figure 8 Timing Characteristics**



Note1 : Follow SPWG

Note2 : R/G/B data7: MSB, R/G/B data0: LSB



Document Title	M150GNN2 R2 Customer Approved Specification	Page No.	16/23
Document No.		Issue date	2015/02/11
		Revision	00

### 8.0 Power Consumption

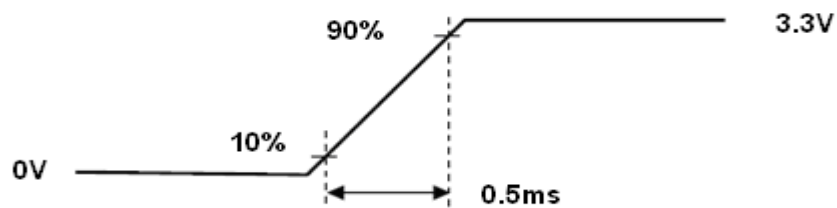
Input power specifications are as follows.

**Table 9 Power Consumption**

Symbol	Parameter	Min.	Typ.	Max.	Units	Condition
VDD	Logic/LCD Drive Voltage	3.0	3.3	3.6	[V]	-
IDD	VDD Current	-	0.25	-	[A]	3.3V/Black pattern
PDD	VDD Power	-	-	1.3	[W]	Black Pattern, 60Hz
Irush	Rush Current	-	-	3	[A]	Note1
VDDrp	Allowable Logic/LCD Drive Ripple Voltage	-	-	200	[mV]p-p	Note 2

Note 1. Measure Condition

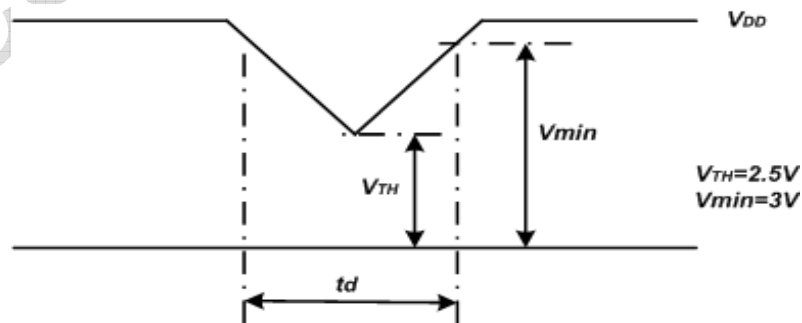
**Figure 9 VDD rising time**



VDD rising time

Note 2. VDD Power Dip Condition

**Figure 10 VDD Power Dip**



If  $V_{TH} < V_{DD} \leq V_{min}$ , then  $t_d \leq 10ms$ ; When the voltage return to normal our panel must revive automatically.



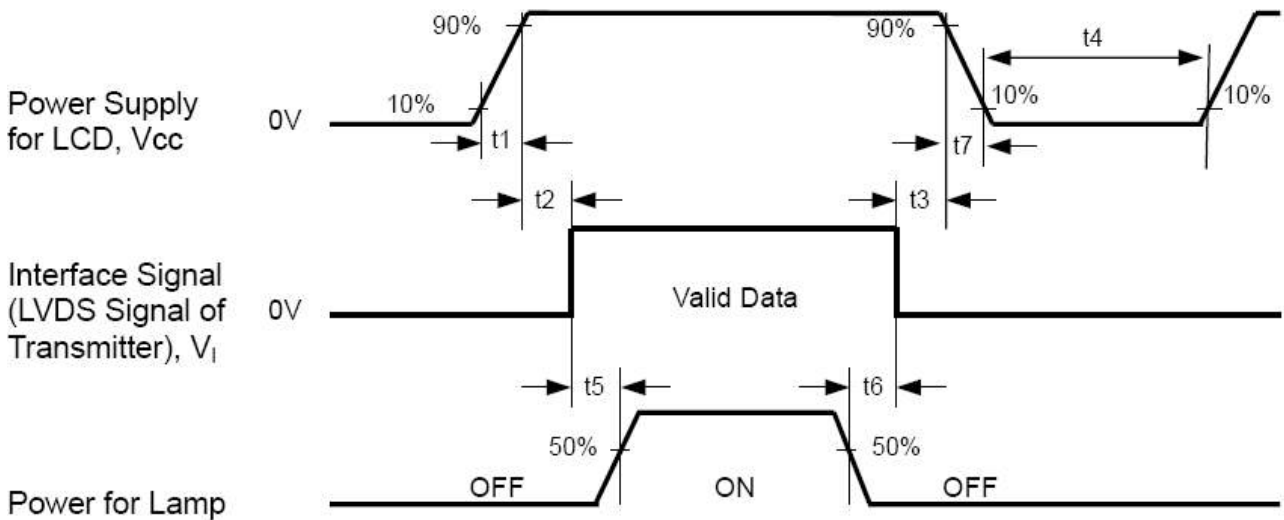


Document Title	M150GNN2 R2 Customer Approved Specification	Page No.	17/23
Document No.		Issue date	2015/02/11
		Revision	00

### 9.0 Power ON/OFF Sequence

VDD power on/off sequence is as follows. Interface signals are also shown in the chart. Signals from any system shall be Hi-Z state or low level when VDD is off.

**Figure 11 Power Sequence**



**Table 10 Power Sequencing Requirements**

Parameter	Symbol	Unit	min	Typ.	max
VDD Rise Time	T1	ms	0.5	-	10
VDD Good to Signal Valid	T2	ms	0	-	20
Signal Disable to Power Down	T3	ms	0	-	1000
Power Off	T4	ms	1000	-	
Signal Valid to Backlight On	T5	ms	300	-	
Backlight Off to Signal Disable	T6	ms	200	-	
VDD Fall Time	T7	ms	0	-	100



Document Title	M150GNN2 R2 Customer Approved Specification	Page No.	18/23
Document No.		Issue date	2015/02/11
		Revision	00

## 10.0 Mechanical Characteristics

### 10.1 Outline Drawing

Figure 12 Reference Outline Drawing (Front Side)

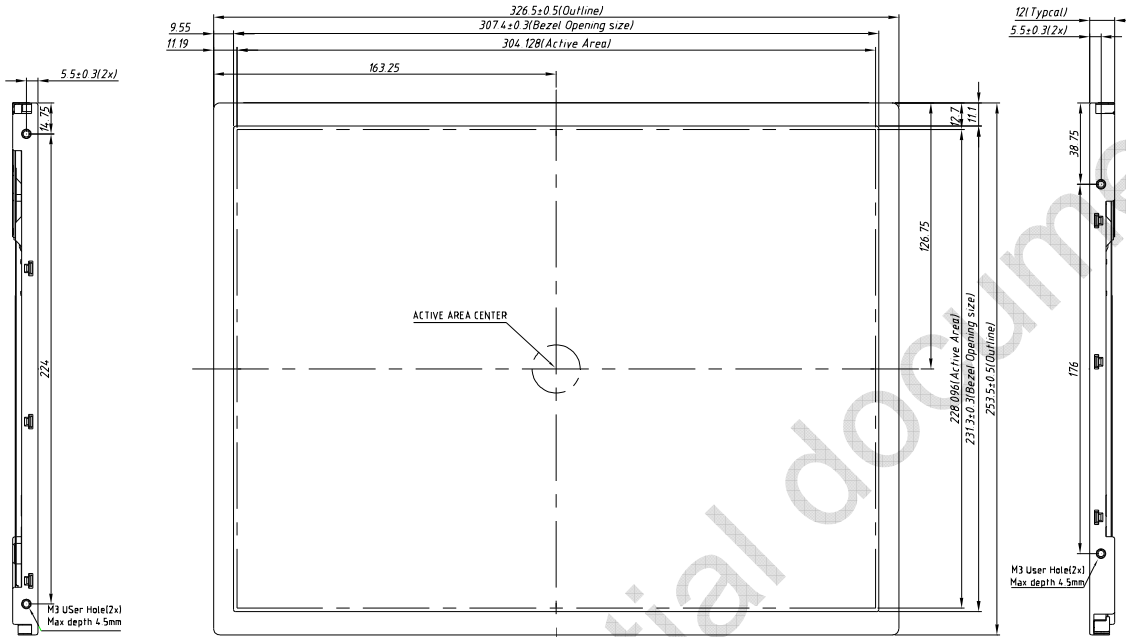
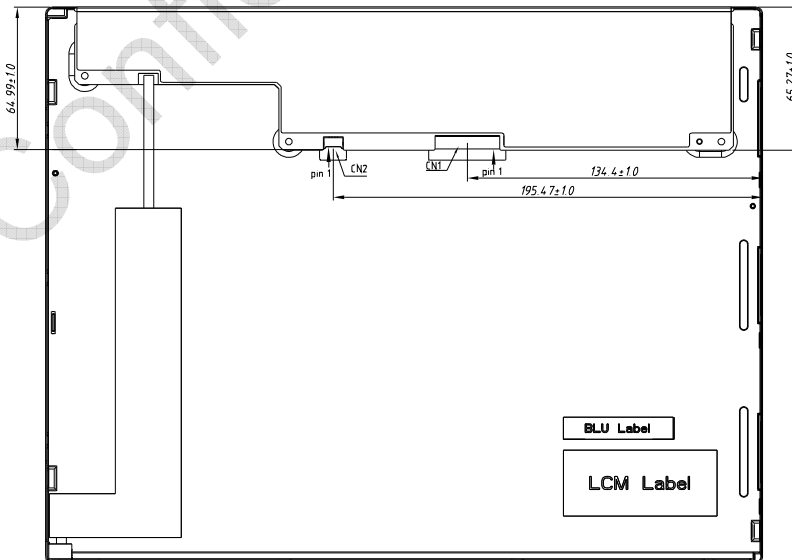


Figure 13 Reference Outline Drawing (Back Side)





Document Title	M150GNN2 R2 Customer Approved Specification	Page No.	19/23
Document No.		Issue date	2015/02/11
		Revision	00

## 10.2 Dimension Specifications

**Table 11 Module Dimension Specifications**

Width [mm]	326.5±0.5
Height [mm]	253.5±0.5
Thickness [mm]	12±0.5
Weight [g]	930(Typ.) 960(Max)

## 11.0 Reliability

**Table 12 Reliability Test Criteria**

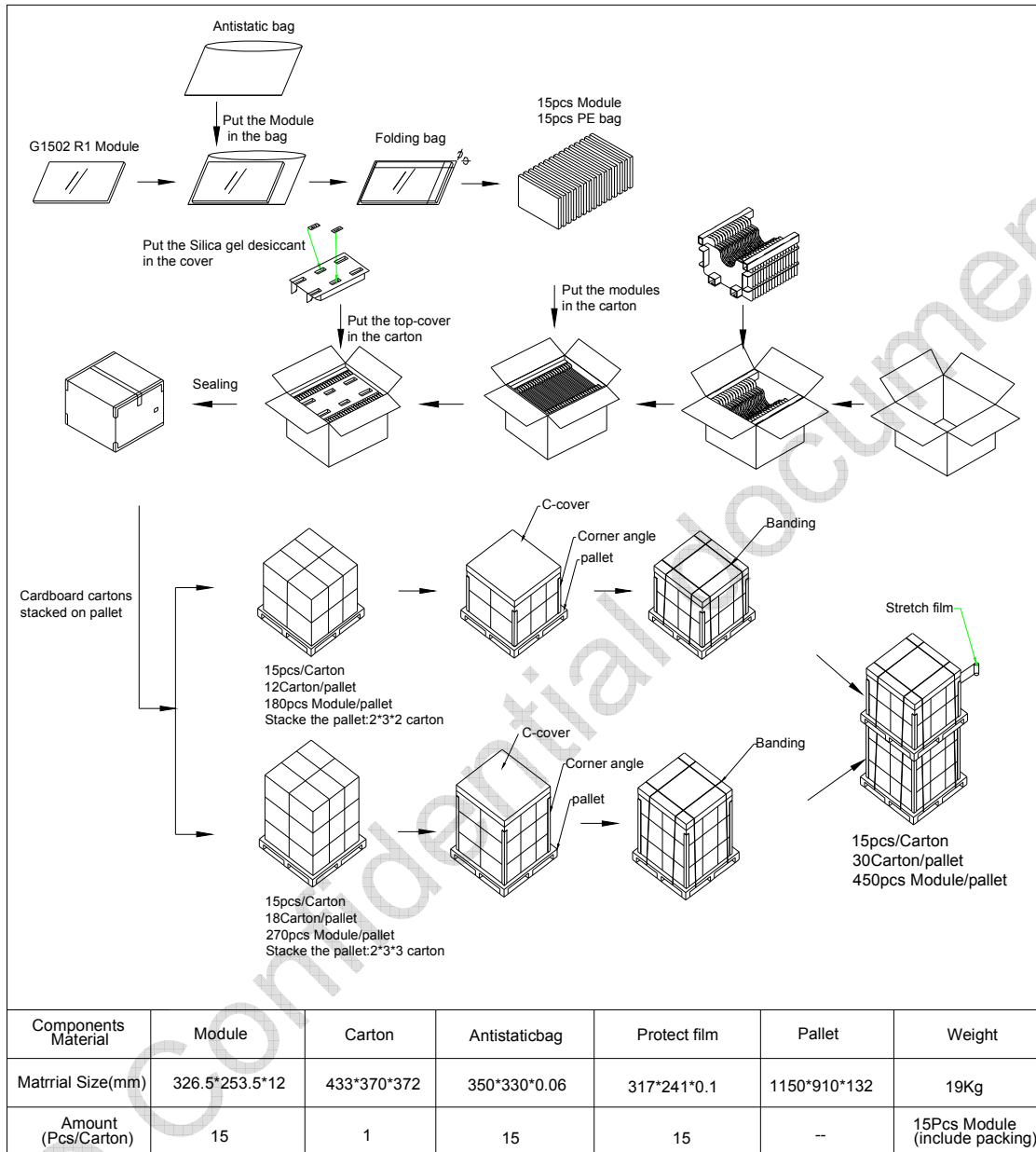
Items	Required Condition	Note
High Temperature Operation Test	70℃ , 300hrs	-
High Temperature Storage Test	80℃ , 300hrs	-
Low Temperature Operating Test	-20℃ , 300hrs	-
Low Temperature Storage Test	-30℃ , 300hrs	-
High Temp./High Humidity Operating Test	50℃ , 85% , 300hrs	-
Thermal Shock Non-operation Test	-20℃ ~60℃ , 1hr/each cycle, 100cycles	-
Shock	50G,20ms,Half Sine Wave, (±X, ±Y,±Z)	-
Vibration	1.5G ,10~200 Hz, x、 y、 z each axis/30min	-
ESD Test	Contact Discharge: ±8KV,150pF(330 Ω) ; Air Discharge: ±15KV,150pF(330 Ω)	1

Note1: ESD class C: Performance could be recovered by reset if temporary failure happened.



Document Title	M150GNN2 R2 Customer Approved Specification	Page No.	20/23
Document No.		Issue date	2015/02/11
		Revision	00

### 12.0 Package Specification

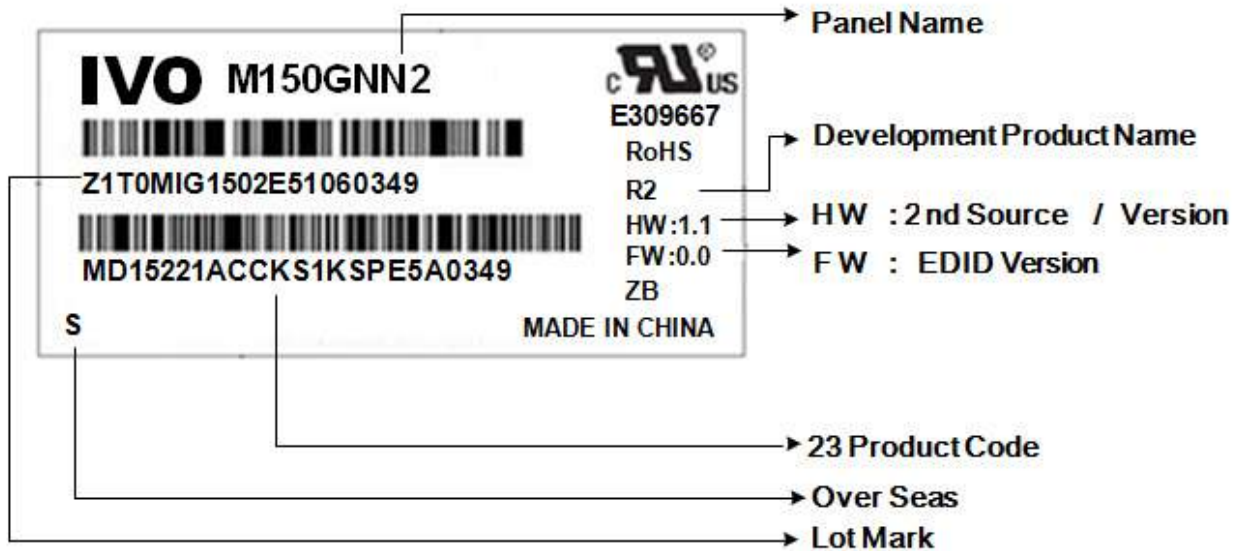




# I 昆山龙腾光电有限公司 InfoVision Optoelectronics ( Kunshan ) Co.,LTD.

Document Title	M150GNN2 R2 Customer Approved Specification	Page No.	21/23
Document No.	Issue date	2015/02/11	Revision
			00

### 13.0 Lot Mark



Note: This picture is only a sample.

### 13.1 Lot Mark

1	2	3	4	5	6	7	8	9	10	11	12	13	14	15	16	17	18	19	20
---	---	---	---	---	---	---	---	---	----	----	----	----	----	----	----	----	----	----	----

Code1,2,4,5,6,7,8,9,10,11,16: IVO internal flow control code.

Code3: Production location.

Code12: Production year.

Code13: Production month.

Code14, 15: Production date.

Code17, 18, 19, 20: Serial number.

Note (1) Production Year

Year	2006	2007	2008	2009	2010	2011	2012	2013	2014	2015
Mark	6	7	8	9	A	B	C	D	E	F

Note (2) Production Month

Month	Jan.	Feb.	Mar.	Apr.	May.	Jun.	Jul.	Aug.	Sep.	Oct	Nov.	Dec.
Mark	1	2	3	4	5	6	7	8	9	A	B	C

### 13.2 23 Product Barcode

1	2	3	4	5	6	7	8	9	10	11	12	13	14	15	16	17	18	19	20	21	22	23
---	---	---	---	---	---	---	---	---	----	----	----	----	----	----	----	----	----	----	----	----	----	----

Code1, 2: Manufacture District.

Code3, 4, 5, 6, 7: IVO internal module name.

Code8, 9, 10, 13, 16: IVO internal flow control code.

Code11, 12: Cell location Suzhou defined as "SZ".



Document Title	M150GNN2 R2 Customer Approved Specification		Page No.	22/23	
Document No.		Issue date	2015/02/11	Revision	00

Code14, 15: Module line Kunshan defined as" KS".

Code17, 18, 19: Year, Month, Day Refer to Note (1) and Note (2) of Lot Mark.

Code20~23: Serial Number.

## 14.0 General Precaution

### 14.1 Use Restriction

This product is not authorized for use in life supporting systems, aircraft navigation control systems, military systems and any other application where performance failure could be life-threatening or otherwise catastrophic.

### 14.2 Handling Precaution

- (1) Please mount LCD module by using mounting holes arranged in four corners tightly.
- (2) Do not disassemble or modify the module. It may damage sensitive parts inside LCD module, and may cause scratches or dust on the display. IVO does not warrant the module, if customers disassemble or modify the module.
- (3) If LCD panel is broken and liquid crystal spills out, do not ingest or inhale liquid Crystal, and do not contact liquid crystal with skin. If liquid crystal contacts mouth or eyes, rinse out with water immediately. If liquid crystal contacts skin or cloths, wash it off immediately with alcohol and Rinse thoroughly with water.
- (4) Disconnect power supply before handling LCD module
- (5) Refrain from strong mechanical shock and /or any force to the module.
- (6) Do not exceed the absolute maximum rating values, such as the supply voltage variation, input voltage variation, variation in parts' parameters, environmental temperature; etc otherwise LCD module may be damaged. It's recommended employing protection circuit for power supply.
- (7) Do not touch, push or rub the polarizer with anything harder than HB pencil lead. Use fingerstalls of soft gloves in order to keep clean display quality, when Persons handle the LCD module for incoming inspection or assembly.
- (8) When the surface is dusty, please wipe gently with absorbent cotton or other soft Material. When cleaning the adhesives, please use absorbent cotton wetted with a little Petroleum benzene or other adequate solvent.
- (9) Wipe off saliva or water drops as soon as possible. If saliva or water drops Contact with polarizer for a long time, they may causes deformation or color Fading.
- (10) Protection film must remove very slowly from the surface of LCD module to Prevent from electrostatic occurrence.
- (11) Because LCD module uses CMOS-IC on circuit board and TFT-LCD panel, it is Very weak to electrostatic discharge, Please be careful with electrostatic Discharge .Persons who handle the module should be grounded through adequate methods.
- (12) Do not adjust the variable resistor located on the module.

### 14.3 Storage Precaution

- (1) Please do not leave LCD module in the environment of high humidity and high temperature for a long time.
- (2) The module shall not be exposed under strong light such as direct sunlight. Otherwise,



Document Title	M150GNN2 R2 Customer Approved Specification	Page No.	23/23		
Document No.		Issue date	2015/02/11	Revision	00

Display characteristics may be changed.

- (3) The module should be stored in a dark place. It is prohibited to apply sunlight or fluorescent light in storage.

#### 14.4 Operation Precaution

- (1) Do not connect or disconnect the module in the "Power On" condition.
- (2) Power supply should always be turned on/off by 9.0 "Power on/off sequence"
- (3) Module has high frequency circuits. Sufficient suppression to the electromagnetic interference should be done by system manufacturers. Grounding and shielding methods may be important to minimize the interference.
- (4) After installation of the TFT Module into an enclosure, do not twist nor bend the TFT Module even momentary. At designing the enclosure, it should be taken into consideration that no bending/twisting forces are applied to the TFT Module from outside. Otherwise the TFT Module may be damaged.

#### 14.5 Others

- (1) Ultra-violet ray filter is necessary for outdoor operation.
- (2) Avoid condensation of water which may result in improper operation or disconnection of electrode.
- (3) If the module keeps displaying the same pattern for a long period of time, the image may be "sticked" to the screen.
- (4) This module has its circuitry PCB's on the rear side and should be handled carefully in order not to be stressed.

#### 14.6 Disposal

When disposing LCD module, obey the local environmental regulations.