

Document Title	C055SWR8-1 Customer Approved Specification		Page No.	1/24	
Document No.		Issue date	2018/11/03	Revision	00

## Customer Approved Specification

**To:**

**Product Name: C055SWR8-1**

**Document Issue Date: 2018/11/03**

Customer	InfoVision Optoelectronics
<p><u>SIGNATURE</u></p> <p>_____</p> <p>_____</p> <p>_____</p>	<p><u>SIGNATURE</u></p> <p><b>REVIEWED BY QA</b></p> <p>_____</p> <p><b>PREPARED BY FAE</b></p> <p>_____</p>
<p>Please return 1 copy for your confirmation with your signature and comments.</p>	

- Note: 1. Please contact InfoVision Company before designing your product based on this product.  
 2. The information contained herein is presented merely to indicate the characteristics and performance of our products. No responsibility is assumed by IVO for any intellectual property claims or other problems that may result from application based on the module described herein.

FQ-7-30-0-009-03D

**IVO** InfoVision Optoelectronics ( Kunshan ) Co.,LTD.

Document Title	C055SWR8-1 Customer Approved Specification		Page No.	2/24
Document No.		Issue date	2018/11/03	Revision 00

Revision	Date	Page	Old Description	New Description	Remark
V00	2018/11/03	-	-	--	-

IVO Confidential

Document Title	C055SWR8-1 Customer Approved Specification	Page No.	3/24		
Document No.		Issue date	2018/11/03	Revision	00

## CONTENTS

1	GENERAL DESCRIPTIONS .....	4
2	ABSOLUTE MAXIMUM RATINGS .....	5
3	ELECTRICAL SPECIFICATIONS .....	6
4	OPTICAL CHARACTERISTICS .....	7
5	PIXEL FORMAT .....	11
6	OUTLINE SIZE .....	12
7	CELL LIGHT-ON INFORMATION .....	18
8	RELIABILITY CONDITION .....	21
9	IVO RECOMMENDED PACKAGING .....	22
10	GENERAL PRECAUTION .....	23

Document Title	C055SWR8-1 Customer Approved Specification		Page No.	4/24	
Document No.		Issue date	2018/11/03	Revision	00

## 1 General Descriptions

### 1.1 Introduction

The C055SWR8-1 is a color active matrix thin film transistor (TFT) liquid crystal display (LCD) Sub Sheet that uses amorphous silicon TFT as a switching device. This TFT LCD panel (Single Chip) has a 5.45 inch diagonally measured active display area with HD resolution (720 horizontal by 1,440 vertical pixels array).

### 1.2 Features

- 5.45 Inch TFT-LCD Panel
- Supported HD Resolution
- Compatible with RoHS Standard

### 1.3 General Characteristics

**Table 1 General Characteristics**

Item	Specification	Unit	Note
Outline Dimension (H x V x D)	63.884x129.368x0.80	mm	Single Chip
Active Area (H x V)	61.884x123.768	mm	Single Chip
Number of Pixels (H x V)	720 x 1,440	-	Single Chip
Pixel Size (H x V)	0.08595 x 0.08595	mm	Single Chip
Pixel Arrangement	RGB Stripe	-	-
Display Type	Transmissive	-	-
Display Mode	Normally Black	-	-
Cell Thickness	CF: 0.40±0.04	mm	Single Chip
	TFT: 0.40±0.04		
Driver IC(Recommendation)	<del>{LI9881C-00T00GA}</del>	-	-
Weight	<del>{8.24}</del> (Typ.)	<del>{9.10}</del> (Max.)	Single Chip
	<del>{712.42}</del> (Typ.)	<del>{784.3}</del> (Max.)	Sub A
	<del>{647.33}</del> (Typ.)	<del>{712.6}</del> (Max.)	Sub B

Document Title	C055SWR8-1 Customer Approved Specification			Page No.	5/24
Document No.		Issue date	2018/11/03	Revision	00

## 2 Absolute Maximum Ratings

**Table 2 Absolute Maximum Ratings**

Item	Symbol	Min.	Max.	Unit	Conditions
LC Operating Voltage	$V_{op}$	<del>(-4.8)</del>	<del>(4.8)</del>	V	(1),(2),(3),(4)
Operating Temperature	$T_{gs}$	-20	70	°C	
Storage Temperature	$T_a$	-30	80	°C	
Operating Humidity	$H_{op}$	10	90	%RH	
Storage Humidity	$H_{st}$	10	90	%RH	

Note(1) All the parameters specified in the table are absolute maximum rating values that may cause faulty operation or unrecoverable damage, if exceeded. It is recommended to follow the typical value.

Note(2) All the contents of electro-optical specifications and display fineness are guaranteed under Normal Conditions. Normal conditions are defined as: Temperature: 25°C, Humidity: 55± 10%RH.

Note(3) Unpredictable results may occur when it was used in extreme conditions.  $T_a$ = Ambient Temperature,  $T_{gs}$ = Glass Surface Temperature. All the display fineness should be inspected under normal conditions.

Note(4) Wet bulb temperature should be lower than 58°C, and no condensation of water. Besides, protect the module from static electricity.

Document Title	C055SWR8-1 Customer Approved Specification		Page No.	6/24	
Document No.		Issue date	2018/11/03	Revision	00

### 3 Electrical Specifications

**Table 3 Electrical Specifications**

No.	Item	Min.	Typ.	Max.	Unit
1	Vcom voltage	<del>(-1.17)</del>	<del>(-0.67)</del>	<del>(-0.17)</del>	V
2	Frame Rate	<del>(55)</del>	<del>(60)</del>	<del>(65)</del>	Hz
3	VGH voltage	<del>(14)</del>	<del>(15)</del>	<del>(16)</del>	V
4	VGL voltage	<del>(-12)</del>	<del>(-11)</del>	<del>(-10)</del>	V

Note(1) Both VGH and VGL are TFT gate operation voltage.

Note(2) The setting of electrical parameters should follow the initial code specified by IVO. Vcom must be adjusted to optimize display quality.

Note(3) All the contents of electrical specifications and display fineness are guaranteed under Normal Conditions. Normal conditions are defined as follow: Temperature: 25℃, Humidity: 55± 10%RH.

Document Title	C055SWR8-1 Customer Approved Specification			Page No.	7/24
Document No.		Issue date	2018/11/03	Revision	00

#### 4 Optical Characteristics

The optical characteristics are measured under stable conditions as following notes.

**Table 4 Optical Characteristics**

Item	Conditions	Min.	Typ.	Max.	Unit	Note
Transmittance	Center	<del>{3.25}</del>	<del>{3.6}</del>	-	%	Under C-light (1),(5),(7),(8),(10) $\theta_x=\theta_y=0^\circ$
Contrast Ratio	Center	<del>{900}</del>	<del>{1200}</del>	-	-	(1),(3),(6),(7),(8) $\theta_x=\theta_y=0^\circ$
Response Time	Rising + Falling	-	<del>{35}</del>	<del>{40}</del>	ms	(1),(4),(6),(7),(8) $\theta_x=\theta_y=0^\circ$
CF Color Chromaticity (CIE1931)	Red x	Typ. -0.03	<del>{0.659}</del>	Typ. +0.03	-	Under C-light (1),(5),(8) $\theta_x=\theta_y=0^\circ$
	Red y		<del>{0.319}</del>		-	
	Green x		<del>{0.276}</del>		-	
	Green y		<del>{0.599}</del>		-	
	Blue x		<del>{0.137}</del>		-	
	Blue y		<del>{0.101}</del>		-	
	White x		<del>{0.298}</del>		-	
	White y		<del>{0.334}</del>		-	
NTSC	CIE1931	<del>{68}</del>	<del>{70}</del>	-	%	
Viewing Angle (CR $\geq$ 10)	Horizontal	$\theta_{x+}$	<del>{80}</del>	<del>{85}</del>	-	degree (1),(2),(6),(7),(8)
		$\theta_{x-}$	<del>{80}</del>	<del>{85}</del>	-	
	Vertical	$\theta_{y+}$	<del>{80}</del>	<del>{85}</del>	-	
		$\theta_{y-}$	<del>{80}</del>	<del>{85}</del>	-	

Document Title	C055SWR8-1 Customer Approved Specification	Page No.	8/24
Document No.		Issue date	2018/11/03
		Revision	00

Note(1) Measurement Setup:

The LCD module should be stabilized at given ambient temperature (25°C) for 30 minutes to avoid abrupt temperature changing during measuring. In order to stabilize the luminance, the measurement should be executed after lighting backlight for 30 minutes in the windless room.

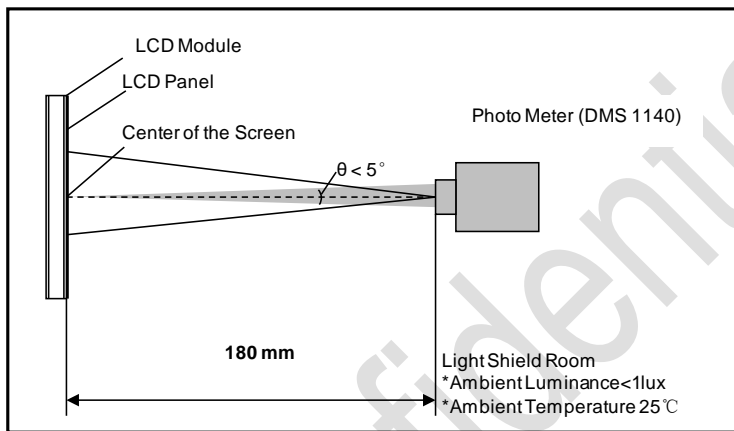


Figure 1 Optical Characteristic Measurement Equipment and Method

Note(2) Definition of Viewing Angle.

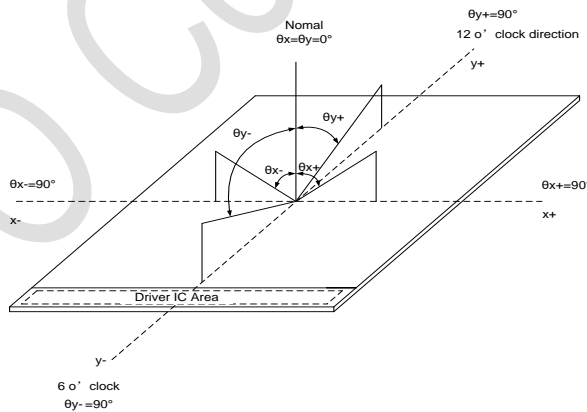


Figure 2 Definition of Viewing Angle



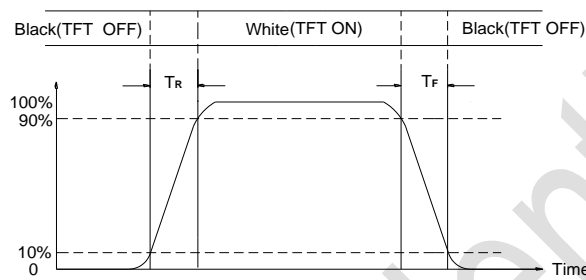
Document Title	C055SWR8-1 Customer Approved Specification		Page No.	9/24	
Document No.		Issue date	2018/11/03	Revision	00

Note(3) Definition of Contrast Ratio (CR)  
 The contrast ratio can be calculated by the following expression:

$$\text{Contrast Ratio (CR)} = \frac{L_{255}}{L_0}$$

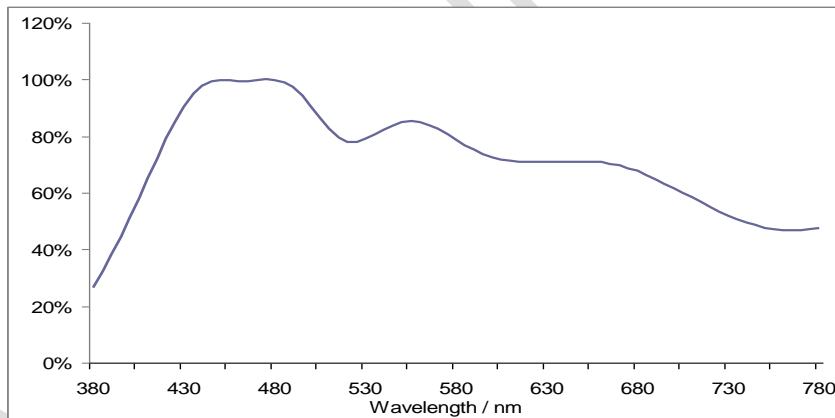
$L_{255}$ : Luminance of gray level 255,  $L_0$ : Luminance of gray level 0

Note(4) Definition of Response Time



**Figure 3 Definition of Response Time**

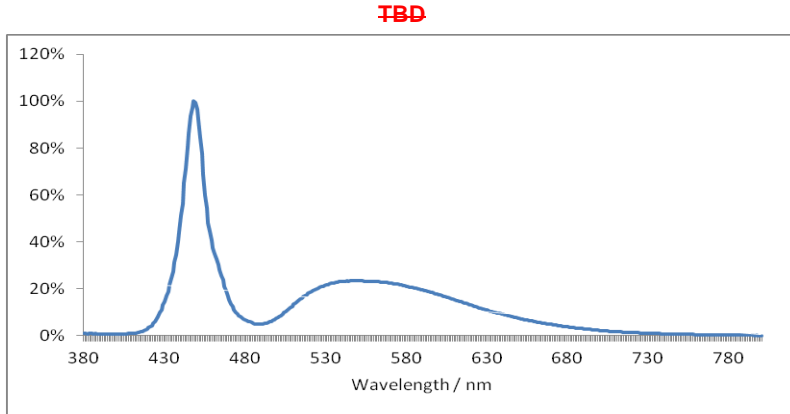
Note(5) C-light Spectrum



**Figure 4 C-Light Spectrum**

Document Title	C055SWR8-1 Customer Approved Specification		Page No.	10/24	
Document No.		Issue date	2018/11/03	Revision	00

Note(6) The Back Light Spectrum

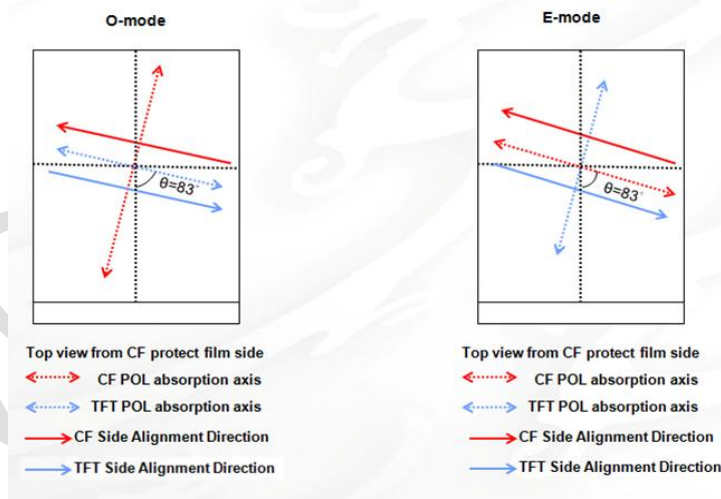


**Figure 5 Back Light Spectrum**

Note(7) The polarizer type: SLP-5115AS-08-T(HC)/CF; SLP-5115-08-T(Clear)/TFT.

Note(8) All optical data are based on IVO given system & nominal parameter & testing machine in this document.

Note(9) The direction of polarizer. It is recommended that customer should choose O Mode or E Mode according to the actual situation.



**Figure 6 Polarizer Direction**

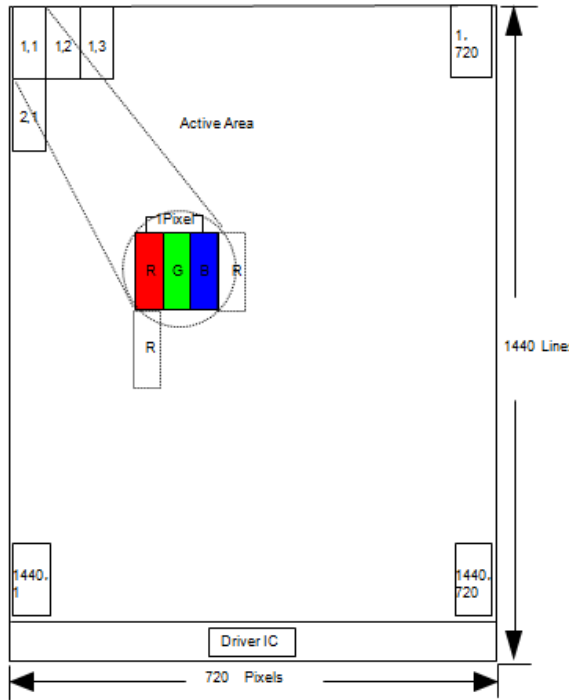
[Note\(10\) Considering each custom's spectrum of BL is different,we define transmittance spec based on C-light source \( standard light source \).The differences may exist,when measure transmittance with unlike BL spectrum.if you have any questions,please contact IVO FAE.](#)

带格式的: 段前 - 2, 缩进: 左侧: 0 厘米, 悬挂缩进: 4.5 字符, 首行缩进: -4.5 字符, 段落间距段后: 0.5 行, 无项目符号或编号

Document Title	C055SWR8-1 Customer Approved Specification		Page No.	11/24	
Document No.		Issue date	2018/11/03	Revision	00

**5 Pixel Format**

The figure shows the relation of the input signals and LCD panel pixel format.

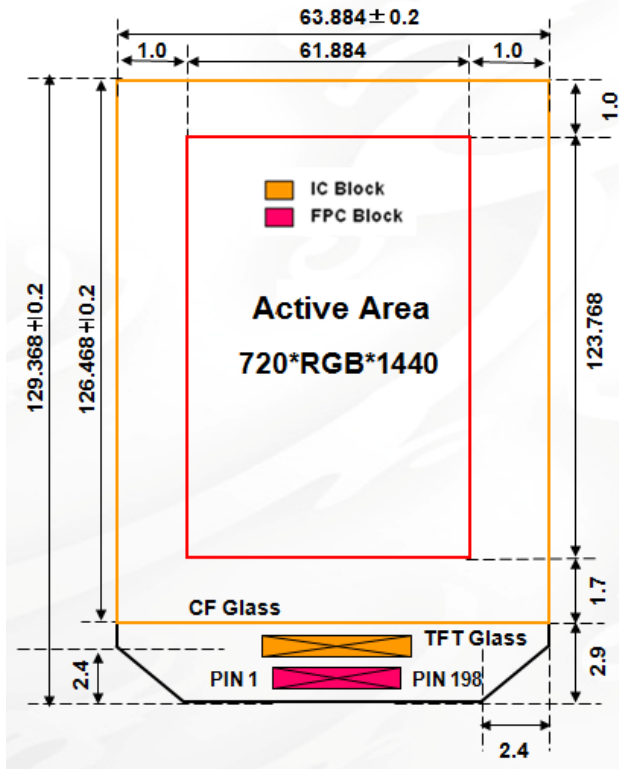


**Figure 7 Pixel Format**

Document Title	C055SWR8-1 Customer Approved Specification	Page No.	12/24
Document No.		Issue date	2018/11/03
		Revision	00

**6 Outline Size**

**6.1 Outline Size of Single Chip**

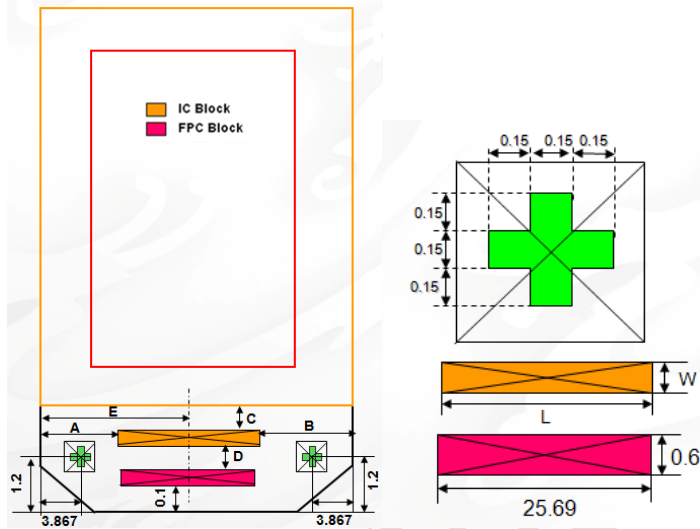


Unit: mm

**Figure 8 Outline Size of Single Chip**

Document Title	C055SWR8-1 Customer Approved Specification	Page No.	13/24
Document No.		Issue date	2018/11/03
		Revision	00

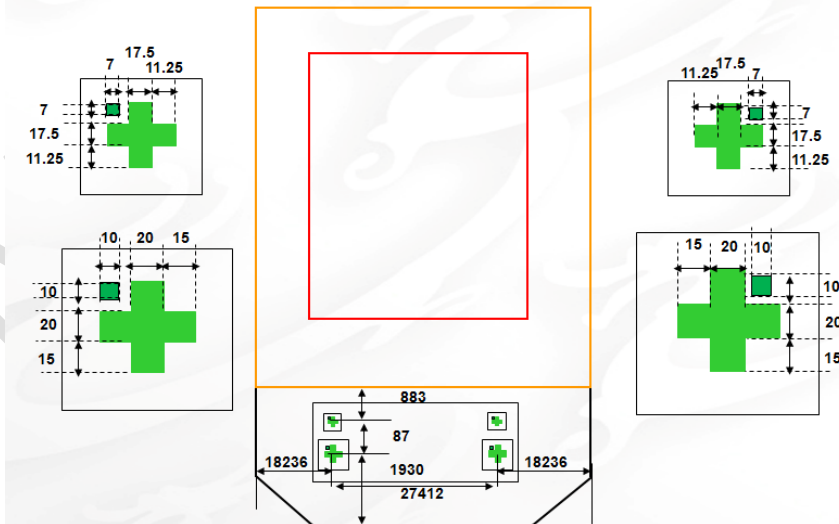
**6.2 IC & FPC Position on Cell**



Unit: mm

**Figure 9 IC and FPC Position Information**  
**Table 5 IC Position Information**

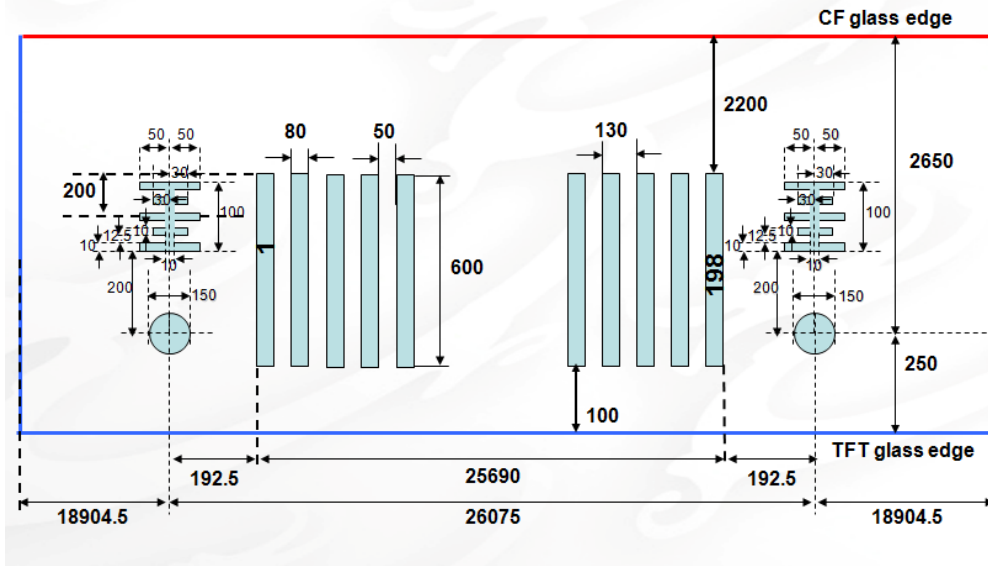
IC Name	L(mm)	W(mm)	A(mm)	B(mm)	C(mm)	D(mm)	E(mm)
{ILI9881C-00T00GA}	{27.840}	{0.875}	{18.022}	{18.022}	{0.818}	{0.507}	{31.942}



Unit: um

Document Title	C055SWR8-1 Customer Approved Specification		Page No.	14/24	
Document No.		Issue date	2018/11/03	Revision	00

**Figure 10 IC Position Information**

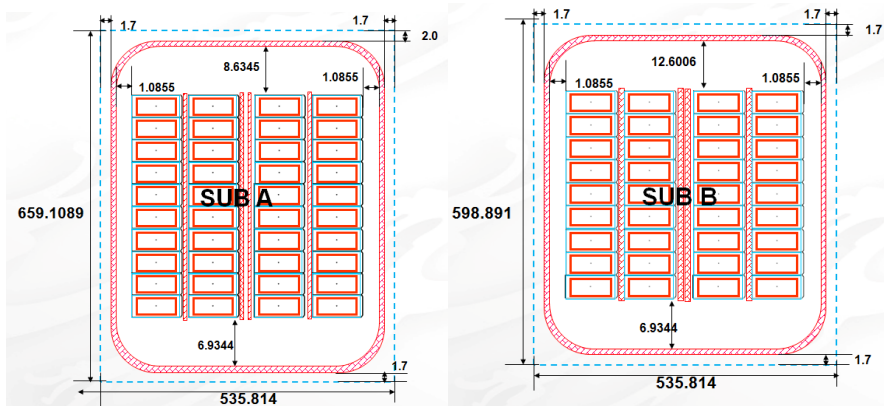


Unit: um

**Figure 11 FPC Position Information**

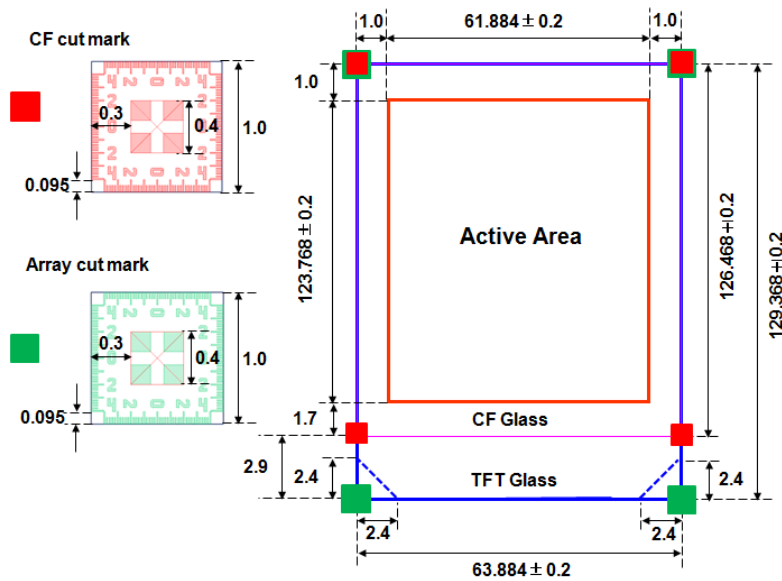
Document Title	C055SWR8-1 Customer Approved Specification		Page No.	15/24	
Document No.		Issue date	2018/11/03	Revision	00

**6.3 Outline Size of Sub Sheet and Cut Mark**



Unit: mm

**Figure 12 Outline Size of Sub A & Sub B**



Unit: mm

**Figure 13 Outline Size of Cut Mark**

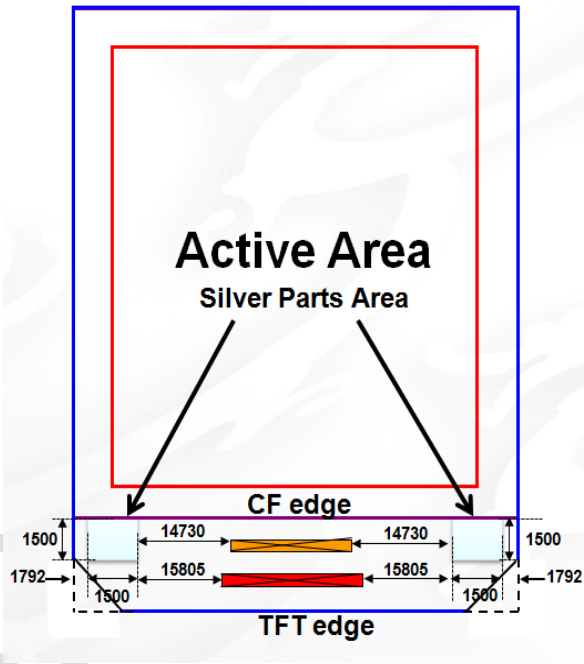
Document Title	C055SWR8-1 Customer Approved Specification	Page No.	16/24
Document No.		Issue date	2018/11/03
		Revision	00

**6.4 Cell Thickness**



**Figure 14 Cell Thickness**

**6.5 Silver Paste Position**



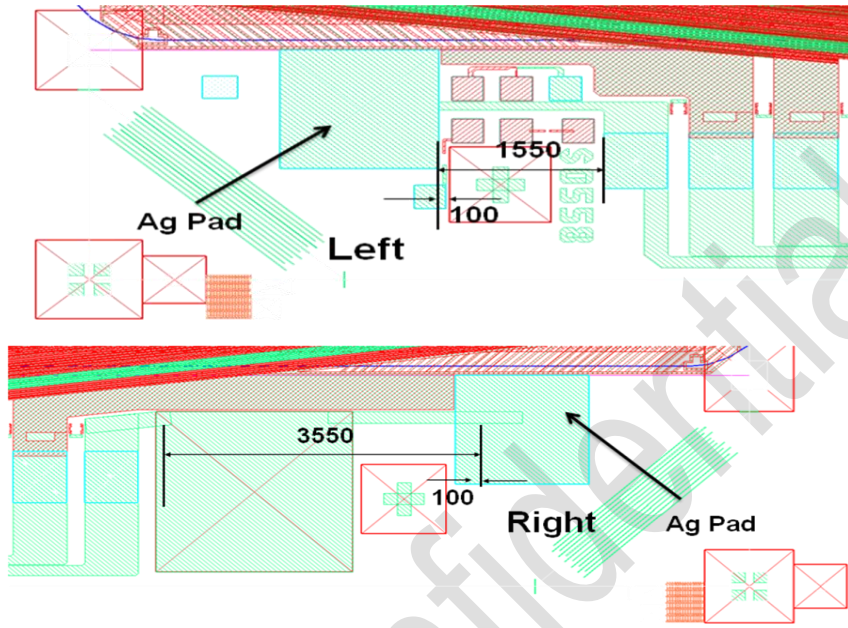
Unit: um

**Figure 15 Silver Paste Position**



Document Title	C055SWR8-1 Customer Approved Specification	Page No.	17/24
Document No.		Issue date	2018/11/03
		Revision	00

**6.6 Silver Paste on The Pad**



Unit: um

**Figure 16 Silver Paste on The Pad**

Document Title	C055SWR8-1 Customer Approved Specification	Page No.	18/24
Document No.		Issue date	2018/11/03
		Revision	00

## 7 Cell Light-On Information

### 7.1 Cell Light-On Test Pad Drawing

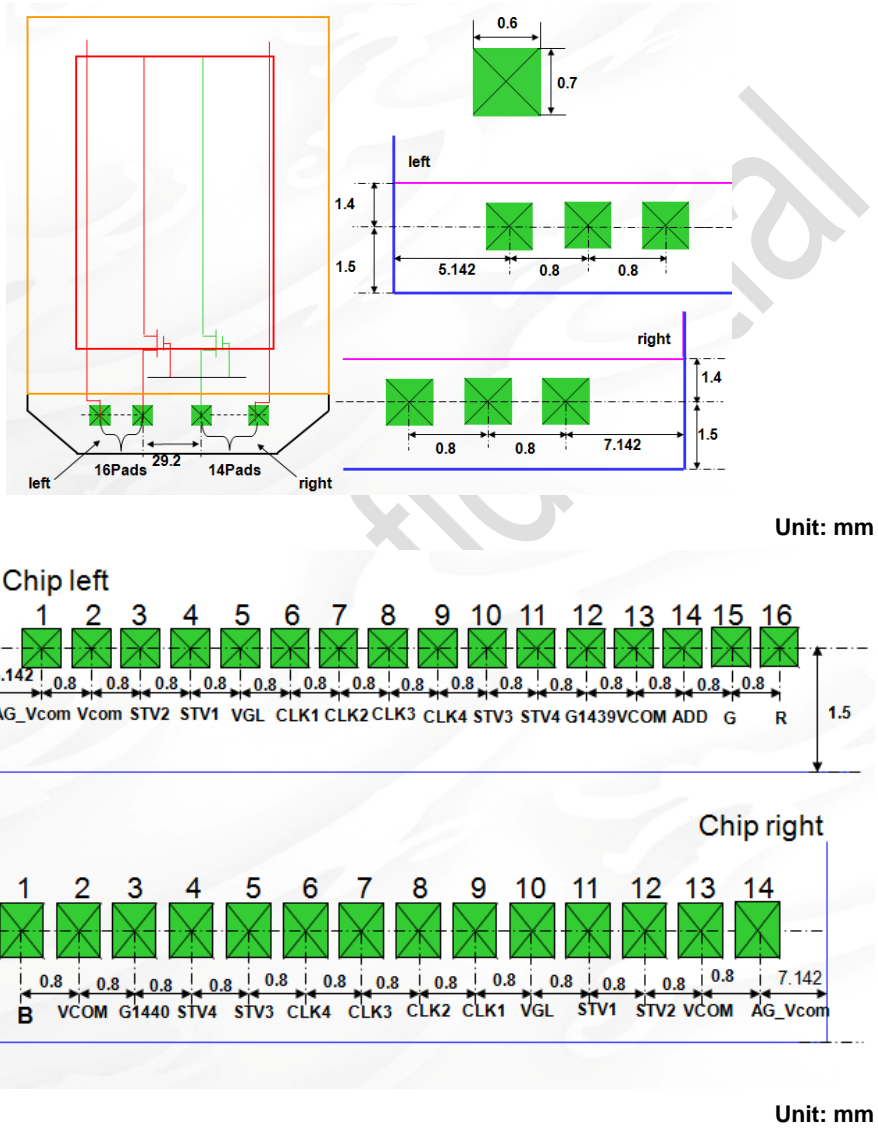
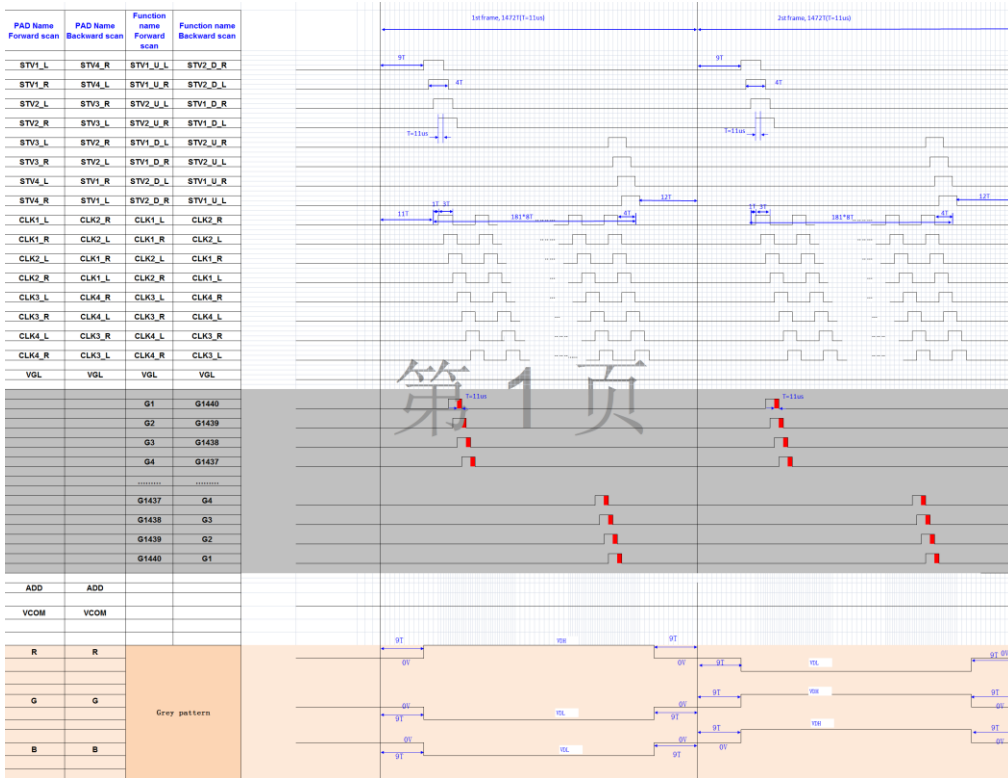


Figure 17 Cell Light-On Test Pad Drawing

Document Title	C055SWR8-1 Customer Approved Specification		Page No.	19/24	
Document No.		Issue date	2018/11/03	Revision	00

**7.2 Cell Light-On Test Waveform**



**Figure 18 Cell Light-On Test Waveform**

**Table 6 Voltage for Cell Test**

Item	Black	Gray	White
VGH		<del>(15)V</del>	
VGL		<del>(-11)V</del>	
VCOM		<del>(-0.67)V</del>	
ADD		<del>(17~25)V</del>	
S1_VDH	<del>(0.2)V</del>	<del>(1.71)V</del>	<del>(4.8)V</del>
S1_VDL	<del>(-0.2)V</del>	<del>(-1.71)V</del>	<del>(-4.8)V</del>
S2_VDH	<del>(0.2)V</del>	<del>(1.71)V</del>	<del>(4.8)V</del>
S2_VDL	<del>(-0.2)V</del>	<del>(-1.71)V</del>	<del>(-4.8)V</del>

Document Title	C055SWR8-1 Customer Approved Specification			Page No.	20/24
Document No.		Issue date	2018/11/03	Revision	00

**7.3 LCD FPC Input Pin Assignment**

**Table 7 LCD FPC Input Pin Assignment**

No.	Pin define	No.	Pin define	No.	Pin define	No.	Pin define	No.	Pin define	No.	Pin define
1	DUMMY	34	C22N	67	VSSA	100	IM0	133	DUMMYP	166	LVDSVSS
2	DUMMY	35	C22N	68	VSSREF	101	VSSDUMMY	134	DUMMYP	167	LVDSVSS
3	VCOM	36	C21P	69	DUMMYN	102	RESX	135	DUMMYP	168	LVDSVSS
4	DUMMYR1	37	C21P	70	VTESTOUTN	103	RESX	136	DUMMYP	169	DUMMY
5	VCOMR	38	C21P	71	VCIREF	104	TE1	137	DUMMYP	170	D3P
6	VGLO1	39	C21N	72	VCIREF	105	TE1	138	TOUT0	171	DUMMY
7	VGLO1	40	C21N	73	DUMMYN	106	TE1	139	TOUT0	172	D3N
8	VGLO2DUMMY	41	VSN	74	MTP_PWR	107	TE	140	TOUT3	173	LVDSVSS
9	VGLO2DUMMY	42	VSN	75	MTP_PWR	108	TE	141	VSS	174	D2P
10	C31P	43	VSP	76	EXTP	109	LEDPWM	142	VSS	175	DUMMY
11	C31P	44	VSP	77	EXTP	110	SCL	143	VSS	176	D2N
12	C31P	45	VSP	78	EXTP	111	CSX	144	VSS	177	DUMMY
13	VGL	46	C42N	79	EXTN	112	DCX	145	VSS	178	LVDSVSS
14	VGL	47	C42N	80	EXTN	113	PCLK	146	VCORE	179	CLKP
15	C24N	48	C42P	81	EXTN	114	VSSDUMMY	147	VCORE	180	CLKN
16	C24N	49	C42P	82	VSS	115	VS	148	VCORE	181	DUMMY
17	C24P	50	C42P	83	VSS	116	HS	149	VCORE	182	LVDSVSS
18	C24P	51	C41N	84	VSS	117	D0	150	VCORE	183	DUMMY
19	C24P	52	C41N	85	VCORE	118	D2	151	VCORE	184	D1P
20	C23N	53	C41P	86	VCORE	119	D4	152	VCC1	185	D1N
21	C23N	54	C41P	87	VCC2	120	D5	153	VCC1	186	DUMMY
22	C23P	55	VGL	88	BOOSTM1	121	D6	154	VCC1	187	LVDSVSS
23	C23P	56	VGL	89	BOOSTM2	122	VSS	155	VCC1	188	D0P
24	C23P	57	VCI	90	BOOSTM0	123	DUMMYP	156	VCC1	189	D0N
25	VSS	58	VCI	91	VDDI	124	DUMMYP	157	VDDAM	190	DUMMY
26	VSS	59	VCI	92	LANSSEL	125	DUMMYP	158	VDDAM	191	LVDSVSS
27	VCI	60	VSS	93	VSS	126	DUMMYP	159	VDDAM	192	VTESTOUTP
28	VCI	61	VSS	94	RS1	127	DUMMYP	160	VDDAM	193	VSSA
29	VGH	62	VREF	95	VDDI	128	DUMMYP	161	LVDSVDD	194	VSSA
30	VGH	63	VREG2OUT	96	RS0	129	DUMMYP	162	LVDSVDD	195	VSSA
31	C22P	64	VREG1OUT	97	IM2	130	DUMMYP	163	LVDSVDD	196	VCOM
32	C22P	65	VSSA	98	IM1	131	DUMMYP	164	LVDSVDD	197	ITO GND
33	C22P	66	VSSA	99	VDDI	132	DUMMYP	165	LVDSVSS	198	DUMMY

Document Title	C055SWR8-1 Customer Approved Specification		Page No.	21/24	
Document No.		Issue date	2018/11/03	Revision	00

## 8 Reliability Condition

**Table 8 Reliability Condition**

NO	Item	Condition
1	High temperature Operation	$T_{gs}=70^{\circ}\text{C}, 240\text{hours}$
2	Low temperature Operation	$T_{gs}=-20^{\circ}\text{C}, 240\text{hours}$
3	High temperature Storage	$T_a=80^{\circ}\text{C}, 240\text{hours}$
4	Low temperature Storage	$T_a=-30^{\circ}\text{C}, 240\text{hours}$
5	High temperature/High humidity Operation	$T_{gs}=60^{\circ}\text{C}, 90\%RH, 240\text{hours}$

Note(1) A sample can only have one test. Outward appearance, image quality and optical data can only be checked at normal conditions according to the IVO document before reliable test. Only check the function of the panel after reliability test.

Note(2) The setting of electrical parameters should follow the initial code specified by IVO before reliability test. Besides, in OTP mode, Vcom must be adjusted to optimize display quality. It is recommended to use the backlight that specified by IVO

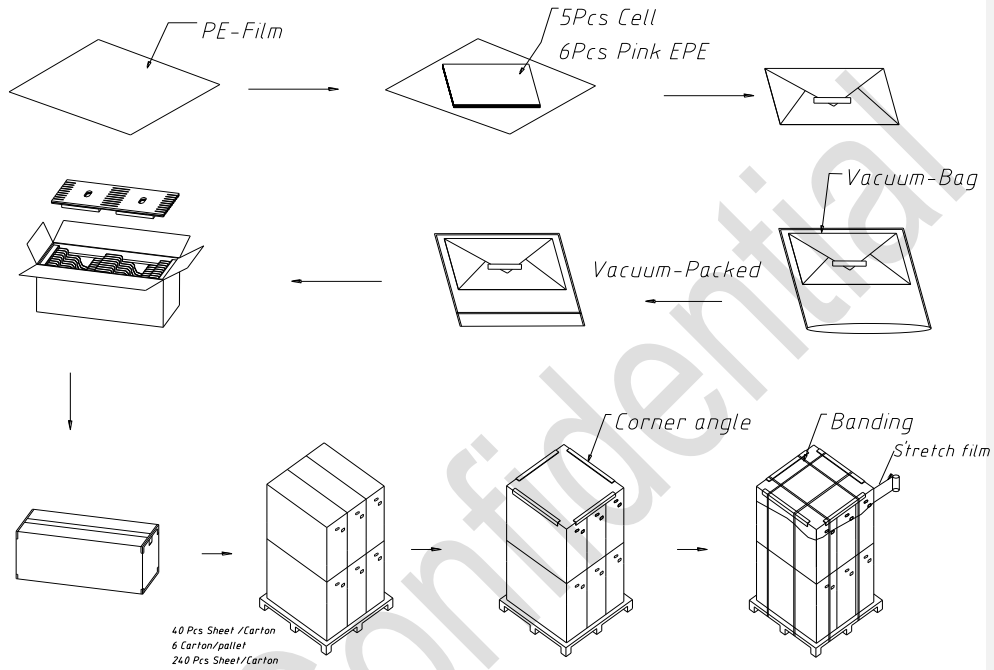
Note(3) The sample must be released for 24 hours under normal conditions before judging. Furthermore, all the judgment must be made under normal conditions. Normal conditions are defined as follow: Temperature:  $25^{\circ}\text{C}$ , Humidity:  $55\pm 10\%RH$ .  $T_a$ = Ambient Temperature,  $T_{gs}$ = Glass Surface Temperature.

Note(4) During the test, it is unaccepted to have condensate water remains. Besides, protect the module from static electricity.

Document Title	C055SWR8-1 Customer Approved Specification	Page No.	22/24
Document No.		Issue date	2018/11/03
		Revision	00

**9 IVO Recommended Packaging**

**9.1 Sub Sheet Packaging**



**Figure 19 Sub Sheet Packaging**

Document Title	C055SWR8-1 Customer Approved Specification		Page No.	23/24	
Document No.		Issue date	2018/11/03	Revision	00

## 10 General Precaution

### 10.1 Use Restriction

This product is not authorized for using in life supporting systems, aircraft navigation control systems, military systems and any other appliance where performance failure could be life-threatening or lead to be catastrophic.

### 10.2 Operation Precaution

- (1) The LCD product should be operated under normal conditions.  
Normal conditions are defined as below:  
Temperature: 25°C  
Humidity: 55±10%  
Display pattern: continually changing pattern (Not stationary)
- (2) Brightness and response time depend on the temperature. (It needs more time to reach normal brightness in low temperature.)
- (3) Image sticking may occur when the module displayed the same pattern for long time.
- (4) Do not connect or disconnect the panel in the "power on" condition. Power supply should always be turned on/off by the "power on/off sequence"

### 10.3 Handling Precaution

- (1) All the operators should be electrically grounded through adequate methods such as an anti-static wrist band, and with ionized air blowing to the panel surface when handling.
- (2) Dressing finger-stalls out of the gloves is important for keeping the panel clean during the incoming inspection and the process of assembly.
- (3) Do not apply strong mechanical impact or static load to the panel, so as to avoid breaking it.
- (4) Clean the panel gently with absorbent cotton or soft cloth when it is dirty.
- (5) Wipe off saliva or water drops on the polarizer, as soon as possible. Otherwise, it may cause deformation and fading of color.
- (6) Desirable cleaners are IPA (Isopropyl Alcohol) or hexane. Do not use Ketone type materials (ex. Acetone), Ethyl alcohol, Toluene, Ethyl acid or Methyl chloride. It might permanent damage to the polarizer due to chemical reaction.
- (7) When expose to drastic fluctuation of temperature (hot to cold or cold to hot), the LCD panel may be affected; It is necessary for you to pay attention to condensation when the ambient temperature drops suddenly. Condensate water would damage the polarizer and electrical contacted parts of the panel. Besides, smear or spot will remain after condensate water evaporating.
- (8) The TFT-LCD Panel shall be installed flat, without twisting or bending
- (9) If the liquid crystal material leaks from the panel, keep it away from the eyes and mouth. In case of contact with hands, legs or clothes, it must be clean with soap thoroughly.

Document Title	C055SWR8-1 Customer Approved Specification		Page No.	24/24	
Document No.		Issue date	2018/11/03	Revision	00

#### 10.4 Storage Precaution

When storing the product as spares for a long time, the following precautions are necessary.

- (1) Store them in a dark place. Do not expose to sunlight or fluorescent light. Keep the temperature between 5°C and 35°C at normal humidity.
- (2) The product's glass surface should not come in contact with any other object. It is recommended that they be stored in the container in which they were shipped.
- (3) It is recommended to use it in a short-time period, after it's unpacked. Otherwise, we would not guarantee the quality.

#### 10.5 Disposal

When disposing LCD panel, obey the local environmental regulations.